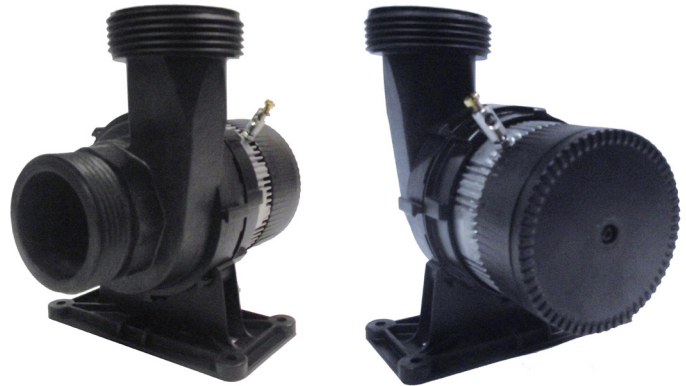


## Laing Thermotech Series E14 Plastics AC Electronically Commutated Spherical Motor Centrifugal Pumps



### Applications

#### Specifically designed for the following uses:

- Water Circulation
- Liquid Transfer
- Ozone Treatment
- Freshwater Aquarium Circulation
- General Purpose Pumping

### Specifications

#### Pump:

- Max Capacities: 40 GPM
- Max Head: 9.5'
- Pipe Connections:  
1½" Buttress Threads Suction and Discharge
- Maximum Working Pressure: 50 PSI
- Maximum Temperature: 140° F
- Rotation: counter clockwise when viewed from the motor end

#### Motor:

- Electronically Commutated Spherical Motor
- Canned Spherical Motor Type
- 230 Volt 115 Watts 50/60 Hz, 2700 RPM
- Automatic Overload Protection
- Low In-Rush Current
- Dry Run Protection

### Features

#### Compact Design:

Close coupled, space saving design provides easy installation.

#### Mounting:

Pump can be mounted horizontally or vertically with motor end down.

#### Motor Bracket:

Thermoplastic motor bracket is adjustable to 4 different discharge angles.

#### Construction:

Available in 316SS fitted thermoplastic.

#### Ceramic Bearing Ball and Carbon Bearing Cap:

High density ceramic bearing ball and graphite impeller bearing cap designed for high efficiency and long life.

#### Impeller:

Highly efficient, clog resistant open impeller is dynamically balanced with carbon bearing for smooth ultra quiet operation.

#### Casing:

Casing is thermoplastic construction.

#### Mechanical Seal:

Unique patented design has no mechanical seal which is a potential leak path.

#### Motor:

Highly efficient and ultra quiet spherical motor design. Pump is designed for continuous operation. All ratings are within working limits of the motor.

#### Electronics:

Embedded microprocessor control is self-regulating and available with variable speed dial control (potentiometer) on the pump or as an optional PWM input for OEM.

#### Noise level:

Whisper quiet, less than 50 db.

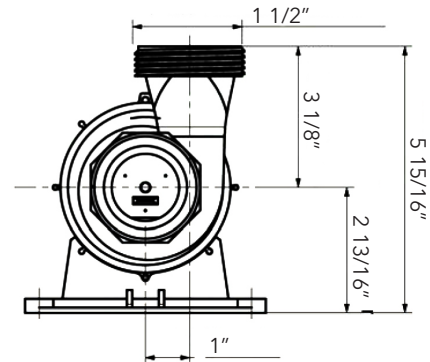
#### Weight:

Lightweight construction weighs less than 4lbs.

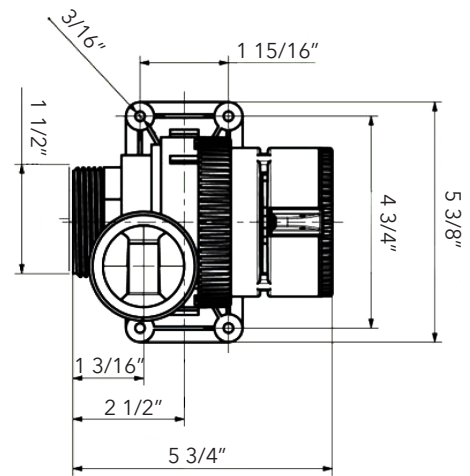
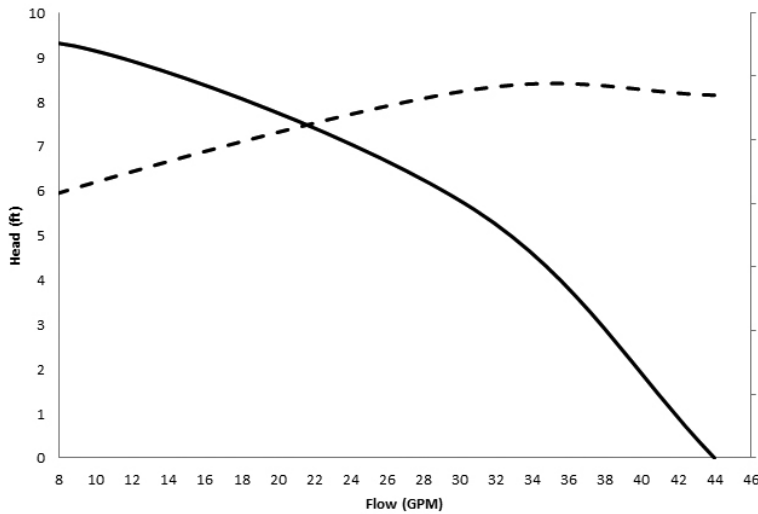
# Laing Thermotech Series E14 Plastic Specifications Sheet

## Materials of Construction (Wetted Parts)

Part	Materials
Pump Housing	Thermoplastic
"O" Ring	EPDM or Viton
Impeller	Polyphenylene Oxide (PPO)
Bearing	Carbon/Aluminum Ceramic
All Other Wetted Parts	316 Stainless Steel or Plastic



E14 Plastics



Xylem Inc.  
3878 S. Willow, Suite 104  
Fresno, CA 93725  
Tel: (559) 265-4730 (800) 554-6853  
Fax: (559) 265-4740 (800) 453-7523  
[www.Laing-thermotech.com](http://www.Laing-thermotech.com)

Goulds is a registered trademark of Goulds Pumps, Inc. and is used under license.  
© 2016 Xylem Inc. SS-10R2 June 2016