

AQ-SPK1.0UN-8S 1" MID-HIGH RANGE WATERPROOF SPEAKER



AQ-SPK1.0UN-8S

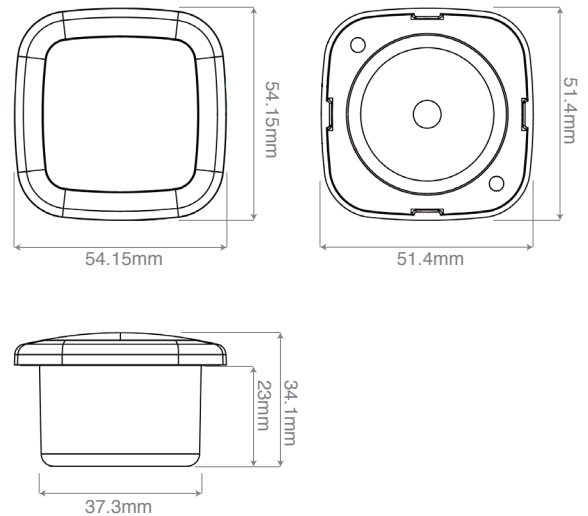


AQ-SPK1.0UN-8S
with Grill AQ-SPG1.0 (sold separately)

SPECIFICATIONS

Type:	Mid-high range, compact waterproof speaker
Cone Size:	1"
Outside Grill Dimension:	54.15mm x 54.15mm
Mounting Hole:	37.3 mm x 37.3mm
Mounting Depth:	23mm
Impedance:	8 Ohm
Frequency Response:	250Hz - 20,000 Hz
Power (max):	5W
Power (RMS):	3W
Waterproof:	Yes
Grill Material:	UV Plastic, 500hrs stable
Basket Material:	UV Plastic, 500hrs stable
Cone Material:	Polypropylene
Rubber Surround Material:	Yes
Magnet Material:	Neodymium
Magnet Protection:	Plastic water guard
Certification	RoHS, ASTM B117, ASTM D4329
Accessories:	Removable grill AQ-SPG1.0 (sold separately)

DIMENSIONS



Aquatic AV

282 Kinney Drive
San Jose, CA 95112, USA

E-mail: info@aquaticav.com

US & Canada: 1 877 579 2782

International: +1 408 559 1668

Fax: +1 408 559 0125

www.aquaticav.com

Design and specification subject to change without notice.E&OE